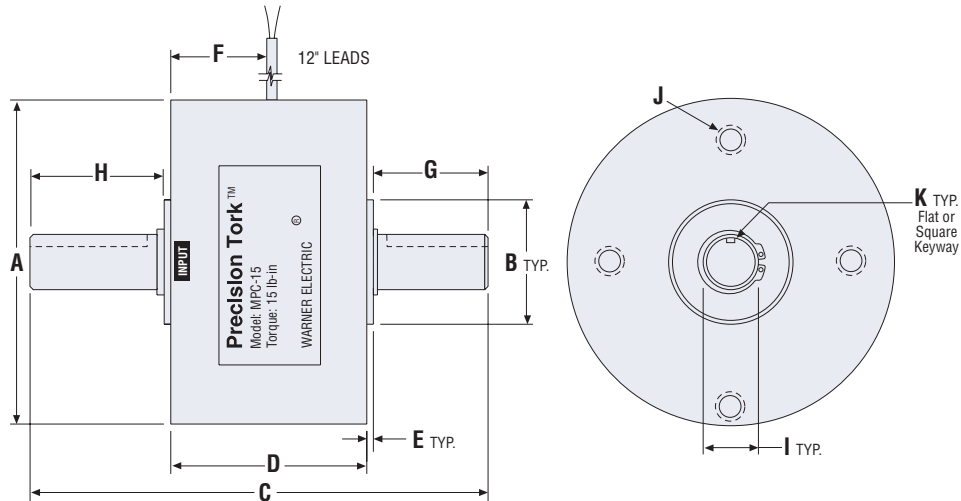


Dimensions and Specifications

Clutches



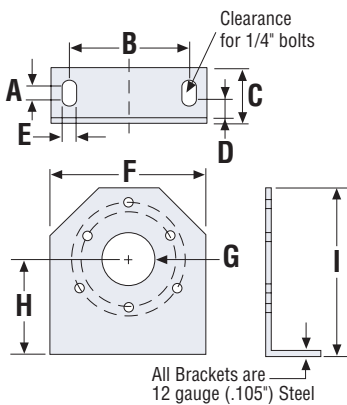
Dimensions

Model	A	B	C	D	E	F	G (Output)	H (Input)	I	J	K5
MPC2-1	2.11	0.750/0.749	3.73	1.85	0.06	1.16	0.88	0.88	0.2498/0.2492	(3) #6-32 x 0.50 on 1.350 BC	Flat
MPC15-1	2.96	1.125/1.124	4.93	2.80	0.07	1.69	1.00	1.00	0.4998/0.4992	(3) #8-32 x 0.50 on 2.000 BC	Flat
MPC15-2	2.96	1.125/1.124	5.08	2.80	0.07	1.69	1.22	0.92	0.3748/0.3742	(3) #8-32 x 0.50 on 2.000 BC	Flat
MPC25-1	2.96	1.125/1.124	4.93	2.80	0.07	1.69	0.995	1.00	0.4998/0.4992	(3) #8-32 x 0.50 on 2.000 BC	2 Flats at 90°
MPC25-2	2.96	1.125/1.124	5.08	2.80	0.07	1.69	1.22	0.92	0.3748/0.3742	(3) #8-32 x 0.50 on 2.000 BC	2 Flats at 90°
MPC70	4.58	1.625/1.624	6.55	3.67	0.10	2.08	1.35	1.35	0.7497/0.7492	(4) #10-32 x 0.63 on 4.228 BC	0.188 Keyway
MPC120	5.25	1.625/1.624	7.02	4.00	0.10	2.40	1.50	1.35	0.7497/0.7492	(4) #1/4-20 x 0.75 on 4.812 BC	0.188 Keyway

Specifications

Model Number	Max. Drag Torque 0 Excit. (lb.in.)	Rated Torque (lb.in.)	Rated Voltage	Resistance (Ohms)	Rated Current (Amps)	Response Zero Force (Millisec)	Response With Force (Millisecs)	Inertia of Output Shaft (lb.in.2)	Max. Heat Dissipation (watts)	Max. Speed Recom. (RPM)	Weight
MPC2	0.40	2	24	92	0.261	8	4	0.001	10	1,800	2
	0.40	2	90	1552	0.058	8	4	0.001	10	1,800	2
MPC15	0.40	15	24	80	0.302	25	9	0.013	20	1,000	5.5
	0.40	15	90	1501	0.060	25	9	0.013	20	1,000	5.5
MPC25	0.40	25	24	45	0.533	25	9	0.013	20	1,000	5.5
MPC70	1.00	70	24	35	0.677	70	17	0.073	100	1,000	16
	1.00	70	90	613	0.147	70	17	0.073	100	1,000	16
MPC120	2.00	120	24	33	0.742	90	25	0.370	140	1,000	22
	2.00	120	90	475	0.190	90	25	0.370	140	1,000	22

Optional Mounting Bracket (for mounting MPB Brakes and MPC Clutches)

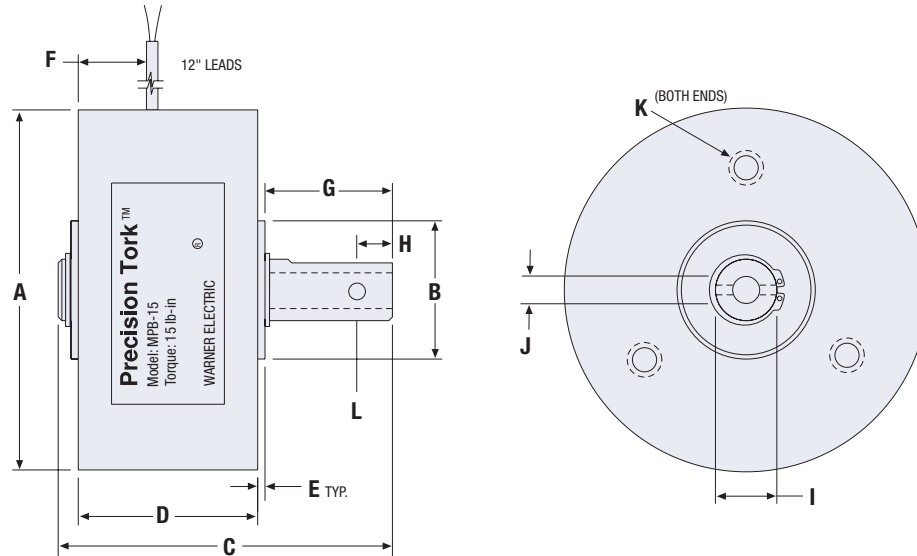


Model	Fits Size	A	B	C	D	E	F	G	H	I
MPB-2B	2	0.270 (6.9)	1.750 (44.5)	1.155 (29.3)	0.390 (9.9)	0.280 (7.1)	2.500 (63.5)	0.755 (19.2)	1.500 (38.1)	3.000 (76.2)
MPB-15B	15, 25	0.270 (6.9)	2.500 (63.5)	1.155 (29.3)	0.390 (9.9)	0.280 (7.1)	3.500 (88.9)	1.13 (28.7)	2.000 (50.8)	4.000 (101.6)
MPB-70B	70	0.270 (6.9)	4.875 (123.8)	1.155 (29.3)	0.390 (9.9)	0.280 (7.1)	6.000 (152.4)	1.63 (41.4)	3.500 (88.9)	6.000 (152.4)
MPB-120B	120	0.270 (6.9)	4.875 (123.8)	1.155 (29.3)	0.390 (9.9)	0.280 (7.1)	6.000 (152.4)	1.63 (41.4)	3.500 (88.9)	6.250 (158.8)
MPB-240B	240	0.270 (6.9)	4.875 (123.8)	1.155 (29.3)	0.390 (9.9)	0.280 (7.1)	6.500 (165.1)	2.245 (62.1)	4.000 (101.6)	7.500 (190.5)

All dimensions are nominal unless otherwise noted. () denotes (mm)

Dimensions and Specifications

Brakes



Dimensions

Model	A	B	C	D	E	F	G	H	I (Shaft)	J (Bore)	K	L
MPB2-1	2.11	0.750/0.749	2.23	1.15	0.06	0.70	0.87	-	0.2498/0.2492	-	(3) #6-32 x 0.27 on 1.350 BC	1 Flat
MPB15-1	2.96	1.125/1.124	3.05	1.46	0.07	0.85	1.35	-	0.3748/0.3742	-	(3) #8-32 x 0.30 on 2.000 BC	2 Flats at 90°
MPB15-2	2.96	1.125/1.124	2.05	1.46	0.07	0.85	0.34	0.18	-	0.375/0.376	(3) #8-32 x 0.30 on 2.000 BC	0.125 Thru Hole
MPB15-3	2.96	1.125/1.124	2.70	1.46	0.07	0.85	0.99	-	0.4998/0.4992	-	(3) #8-32 x 0.30 on 2.000 BC	2 Flats at 90°
MPB25-1	2.96	1.125/1.124	2.05	1.46	0.07	0.85	1.35	-	0.3748/0.3742	-	(3) #8-32 x 0.30 on 2.000 BC	2 Flats at 90°
MPB25-2	2.96	1.125/1.124	2.05	1.46	0.07	0.85	0.34	0.18	-	0.375/0.376	(3) #8-32 x 0.30 on 2.000 BC	0.125 Thru Hole
MPB25-3	2.96	1.125/1.124	2.7	1.46	0.07	0.85	0.99	-	0.4998/0.4992	-	(3) #8-32 x 0.30 on 2.000 BC	2 Flats at 90°
MPB70-1	4.57	1.625/1.624	2.62	1.76	0.10	0.98	0.50	0.18	-	0.500/0.501	(4) #10-32 x 0.50 on 4.228 BC	0.125 Thru Hole
MPB70-2	4.57	1.625/1.624	3.37	1.76	0.10	0.98	1.25	-	0.7497/0.7492	-	(4) #10-32 x 0.50 on 4.228 BC	0.188 Keyway
MPB120-1	5.25	1.625/1.624	4.02	2.17	0.10	1.18	1.50	0.50	-	0.500/0.501	(4) #1/4-20 x 0.75 on 4.812 BC	0.156 Thru Hole
MPB120-2	5.25	1.625/1.624	4.02	2.17	0.10	1.18	1.50	-	0.7497/0.7492	-	(4) #1/4-20 x 0.75 on 4.812 BC	0.188 Keyway
MPB240-1	6.23	2.442/2.440	4.66	2.65	0.10	1.46	1.65	-	0.7497/0.7492	-	(4) #1/4-20 x 0.65 on 5.875 BC	0.188 Keyway
MPB240-2	6.23	2.442/2.440	3.51	2.65	0.10	1.46	0.50	-	-	0.875/0.876	(4) #1/4-20 x 0.65 on 5.875 BC	0.188 Keyway
MPB240-3	6.23	2.442/2.440	3.51	2.65	0.10	1.46	0.50	-	-	1.000/1.001	(4) #1/4-20 x 0.65 on 5.875 BC	0.250 Shallow Keyway

Specifications

Model Number	Max. Drag Torque 0 Excit. (lb.in.)	Rated Torque (lb.in.)	Rated Voltage	Resistance (Ohms)	Rated Current (Amps)	Response Zero Force (Millisec)	Response With Force (Millisecs)	Inertia of Output Shaft (lb.in.2)	Max. Heat Dissipation (watts)	Max. Speed Recom. (RPM)	Weight
MPB2	0.40	2	24	92	0.261	8	4	0.001	10	1,800	1
	0.40	2	90	1552	0.058	8	4	0.001	10	1,800	1
MPB15	0.40	15	24	80	0.302	25	9	0.013	20	1,000	2.5
	0.40	15	90	1501	0.060	25	9	0.013	20	1,000	2.5
MPB25	0.40	25	24	45	0.533	25	9	0.013	20	1,000	2.5
MPB70	1.00	70	24	35	0.677	70	17	0.073	100	1,000	8
	1.00	70	90	613	0.147	70	17	0.073	100	1,000	8
MPB120	2.00	120	24	33	0.742	90	25	0.370	140	1,000	12.5
	2.00	120	90	475	0.190	90	25	0.370	140	1,000	12.5
MPB240	4.00	240	24	19	1.286	150	45	1.311	200	1,000	20.5
	4.00	240	90	246	0.366	150	45	1.311	200	1,000	20.5